

4 x 4 Hybrid matrix 690-3800 MHz

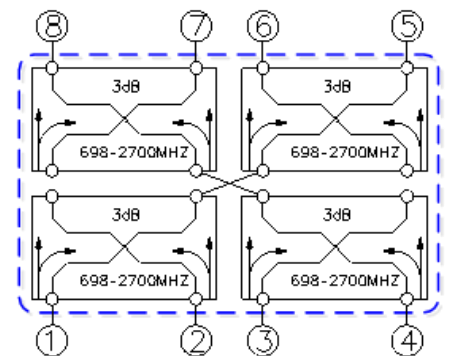
- Wide frequency range 690 to 3800 MHz for 2G/3G/4G/LTE/5G applications
- Low passive IM
- Low VSWR & insertion loss

Specifications

Model Nos.	MHC-735-44-4F-155	MHC-735-44-DF-155
Input Ports	4	
Output Ports	4	
Frequency (MHz)	690-3800 MHz	
Insertion loss (dB)	≤7.1	
Isolation (dB)	698-3500MHz ≥23 (any input port) 3500-3800MHz ≥20(any input port)	
VSWR	≤1.3:1	
Impedance	50 ohm	
PIM (3rd order, @2*43dBm)	≤-155dBc (3rd order with 2x20W)	
Input power (cw per port)	200W	
Temperature Range	-20 to +55°C (operating)	
Connector	4.3-10 Female	7/16 DIN Female
Colour	Grey, RAL 7035 (powder coat)	
IP Rating	Outdoor, IP 67	
Weight (kg)	< 3.0	
Dimensions (mm)*	210(±3) x 109(±3) x 65(±3)	



Schematic Diagram



* without connectors and brackets

Outline Drawing

