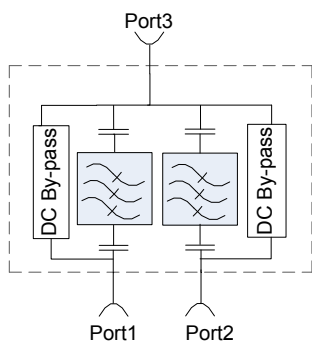
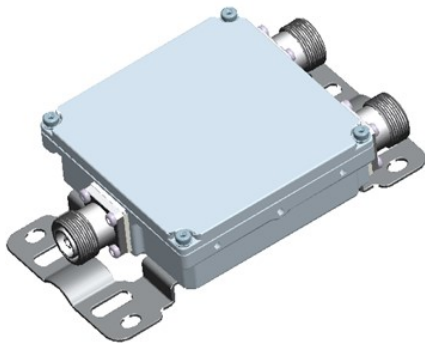


Combiner 1710-1880/1920-2170 MHz



Specifications; Part No. MHN-C1821-D-80281/80281-4310		
Port	Port 1	Port 2
Frequency (MHz)	1710-1880	1920-2170
Insertion loss (dB)	≤0.4	
Isolation (dB)	≥50	
Return loss (dB)/VSWR	≤-20/1.22	
Intermodulation (dBc)	≤-155 (3 rd order; with 2×20W)	
Impedance	50 Ω	
Input power (W)	≤200W (avg.)	
DC/AISG	By-pass all ports(max.3000 mA)	
Lightning protection	10KA; 10/350μS pulse	
Operating temperature	-20 to +65°C	
Storage temperature	-40 to +85°C	
Relative humidity	5%~95%	
Application	Indoor or outdoor (IP66)	
Connector	DIN-F/4.3-10-F	
Weight (kg)	1.2	
Dimensions (mm)	136 x 136 x 46 (excluding connectors)	

Outline

