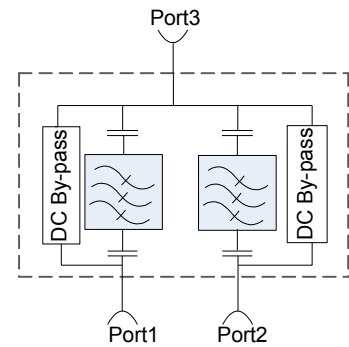


# Combiner; 698-2170/2300-2700 MHz

## Specifications; Part No 8028650-4310

Frequency range	698-2170 MHz	2300-2700 MHz
Insertion loss	≤ 0.4dB	≤ 0.4dB
Return loss/VSWR	≤-20dB/1.22	
Isolation	≥ 60 dB	
Impedance	50Ω	
Input power	≤200W (avg) 1000W (pk-pk)	
Intermodulation	≤-155dBc (3rd order with 2x20W)	
DC/AISG	Bypass (max 3000mA)	
Lightning protection	10kA; 10/350µs pulse	
Operating temperature	-20°C to +65°C	
Storage temperature	-40°C to +85°C	
Relative humidity	5% - 95%	
Application	Indoor or outdoor (IP67)	
Connectors	4.3-10 Female	
Weight	Single unit 1.20kg	
Dimensions (without connectors)	140x120x42 mm	
Packing	1pc/box	

## Schematic



Single & double units available

DC configuration available on request

