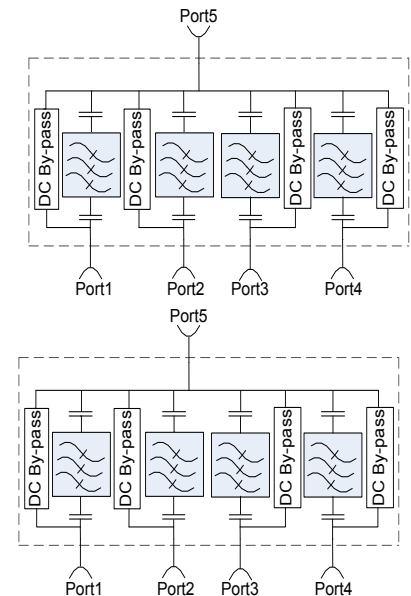


# Combiner; 1710-1880/1920-2170/2300-2400/2500-2700 MHz

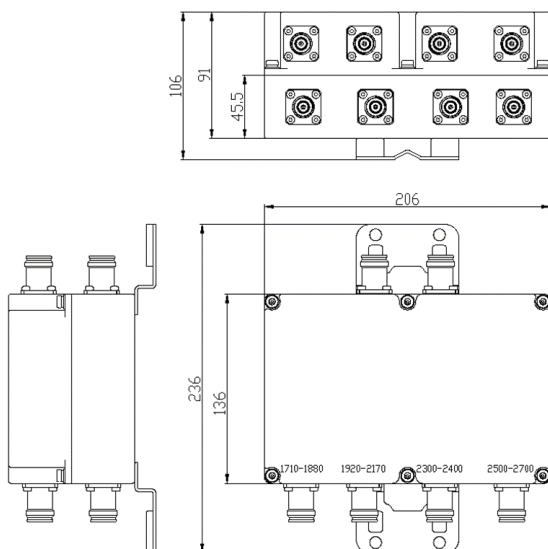
## Specifications; Part No C4D1727

Frequency range	Port 1 Port 2 Port 3 Port 4	1710-1880 MHz 1920-2170 MHz 2300-2400 MHz 2500-2700 MHz
Insertion loss	≤ 0.4dB	
Return loss/VSWR	≤1.22	
Isolation	≥ 50 dB	
Impedance	50Ω	
Input power	≤200 W(avg)	
Intermodulation	155dBc	
DC/AISG	Bypass (max 3000mA)	
Lightning protection	10kA; 10/350μs pulse	
Operating temperature	-20°C to +55°C	
Storage temperature	-40°C to +85°C	
Relative humidity	5% - 95%	
Application	IP67	
Connectors	4.3-10 Female	
Dimensions	206x136x91 mm	
Packing	1pc/box	

## Schematic



## Outline Drawing



## Dimensions

Type	DC pass	Weight (kg)	Dimensions (mm)	Connectors
Single	DC pass all	≤3	206x136x46	4.3-10F
Double	DC pass all	≤6	206x136x91	4.3-10F