

200W Load DC-6000MHz

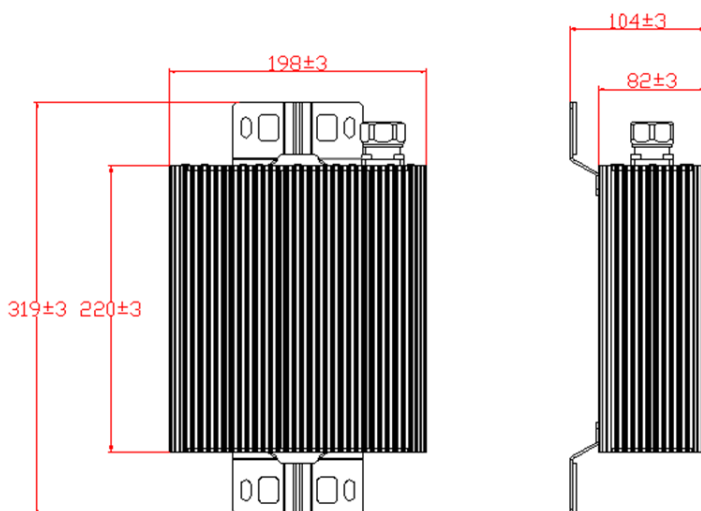
Specifications; Part No. L-100W-660-(connector type, Male/Female)

eg: For a 4.3-10 Male to Female connector Part No. is L-100W-660--4310M
 Key: 4 =4.3-10 connector, N=N-Type connector, D=DIN connector, M= Male, F= Female

Frequency range	DC-6000MHz					
VSWR	$\leq 1.25:1$ (@DC-3800MHz) $\leq 1.35:1$ (@3800-6000MHz)					
Input Power (CW/per port)	200W					
Impedance	50 Ω					
Operating temperature	-20 to +65°C					
Application	Outdoor, IP67					
PIM* (3rd order, @2 x 43 dBm)	≤ -155	≤ -160	≤ -160	≤ -155	≤ -160	≤ -160
Connectors	N-Female	4.3-10-Female	DIN-Female	N-Male	4.3-10-Male	DIN-Male
Colour	Black					
Weight	<5.5kg					
Dimensions	223 x 201 x 85 mm (max) excluding brackets and connectors					

* The PIM unit is dBc, test band @900/1800/2600MHz

Outline Drawing



Schematic Diagram

